

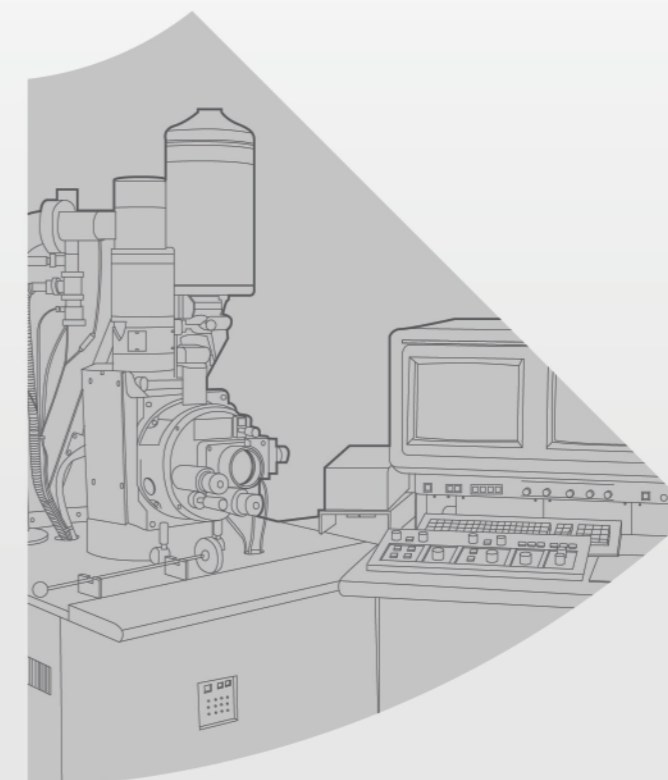
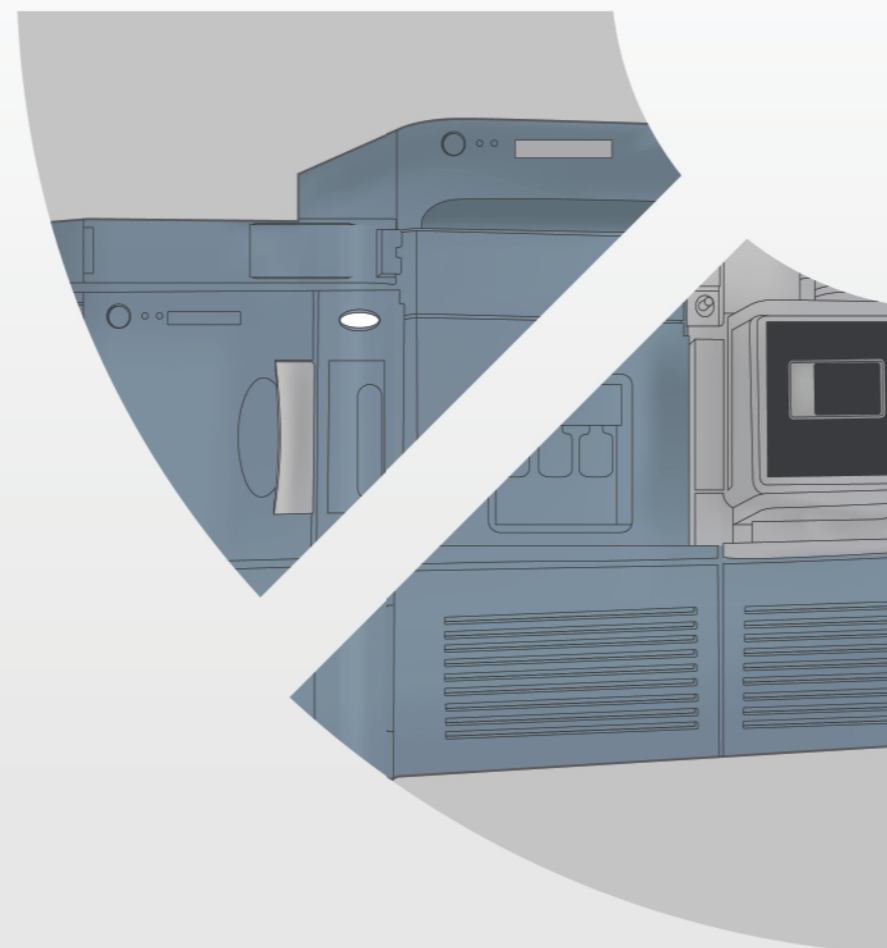
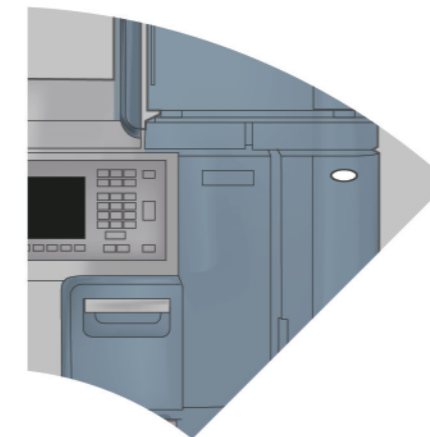
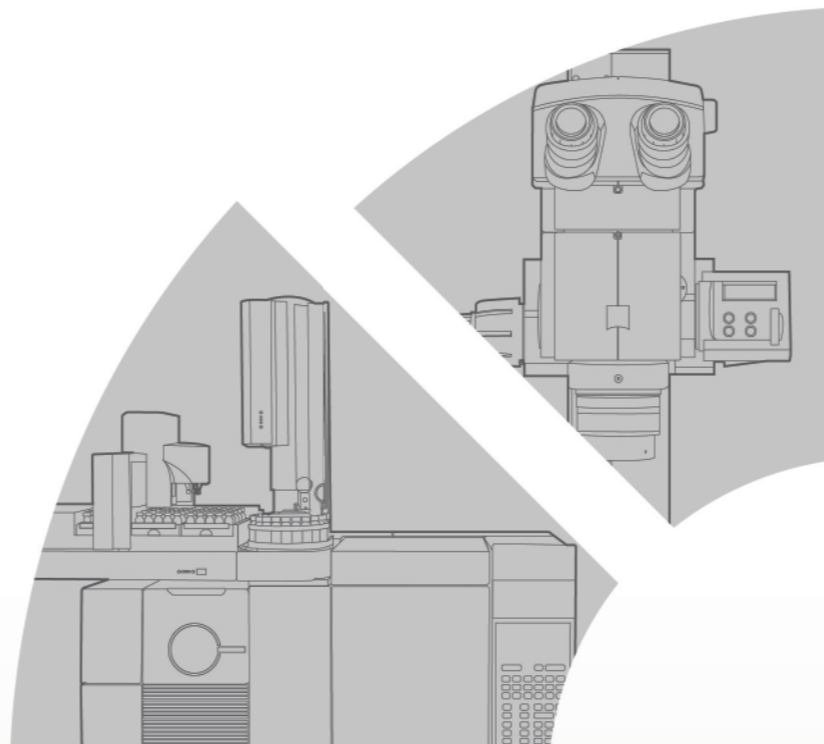
Skylab is a business department of Neo Power Tech Co. Ltd. specializing in analytical instruments



We only collect quality-verified refurbished analytical instruments directly from major companies of Japan and Korea after 3-7 years of lease or rental.

At the warehouse in Korea, technical engineers check, inspect and examine all the products regularly, which ensures that our pre-owned analytical instruments are first rate.

We endeavor to always provide and supply the right analytical instruments to fit customer needs.



More Economical Lab



We supply first-rate Refurbished and pre-owned Analytical Instruments



A-2303, Gunpo IT Valley, 17 Gosan-ro 148 Gil, Gunpo City, Gyunggi, South Korea
Tel +82 31 387 2727 Fax +82 31 382 9422
E-mail info@skylab.co.kr / skylab@neopwr.co.kr

www.skylab.co.kr

HPLC

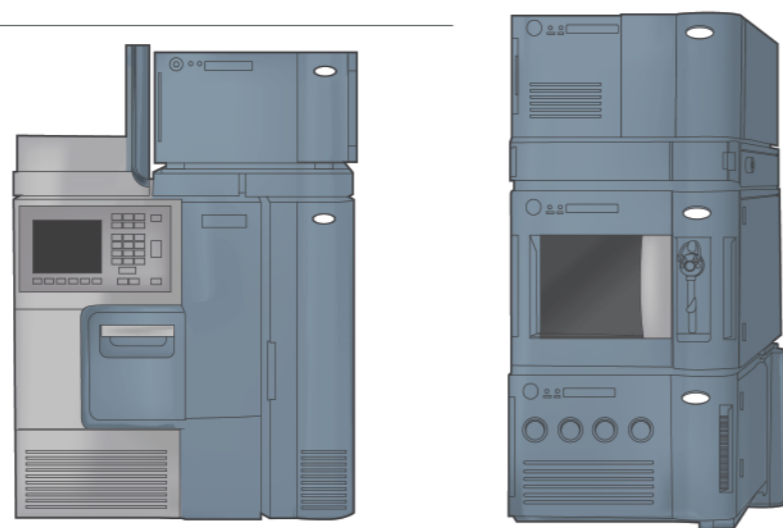
High Performance Liquid Chromatography

UPLC

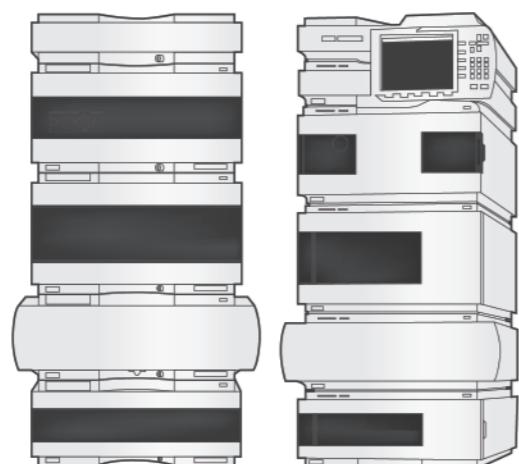
Ultra Performance Liquid Chromatography

WATERS
AGILENT
SHIMADZU

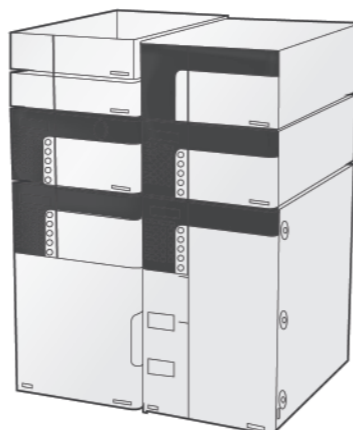
WATERS



AGILENT



SHIMADZU

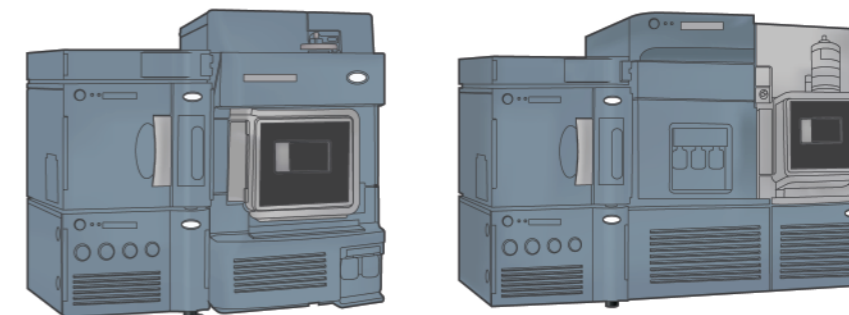


LC/MS LC/MS/MS

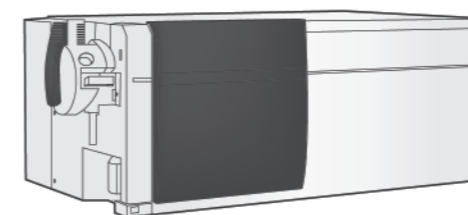
Liquid Chromatography Mass Spectrometer

WATERS
AGILENT
AB SCIEX
THERMO
SHIMADZU

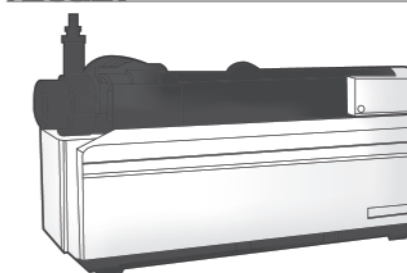
WATERS



AGILENT



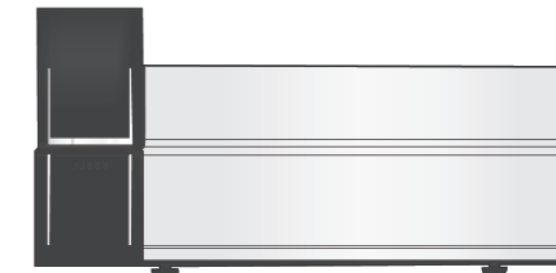
AB SCIEX



THERMO



SHIMADZU

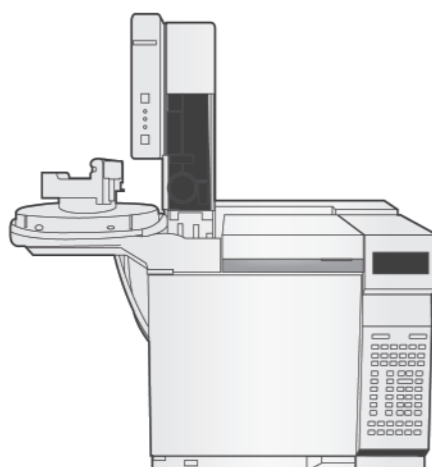


GC

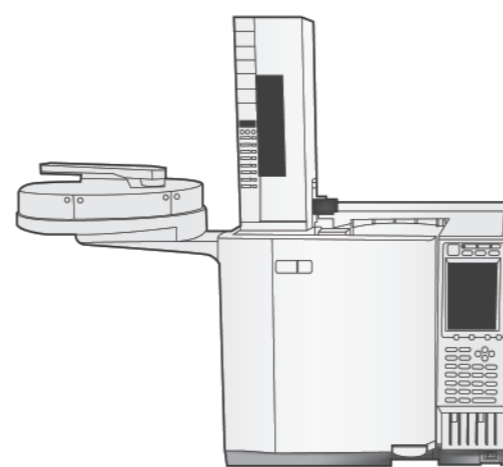
Gas Chromatography

AGILENT
SHIMADZU

AGILENT



SHIMADZU

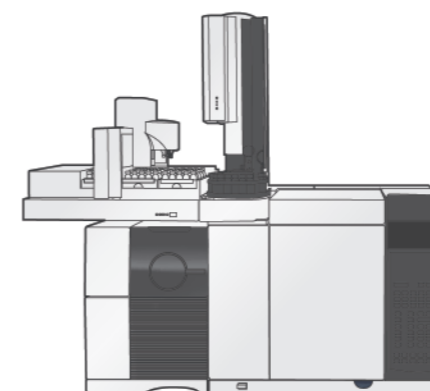


GC/MS GC/MS/MS

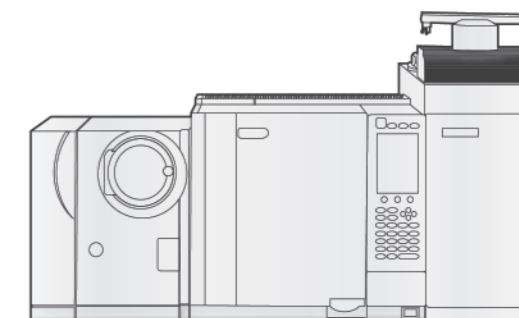
Gas Chromatography Mass Spectrometer

AGILENT
SHIMADZU

AGILENT



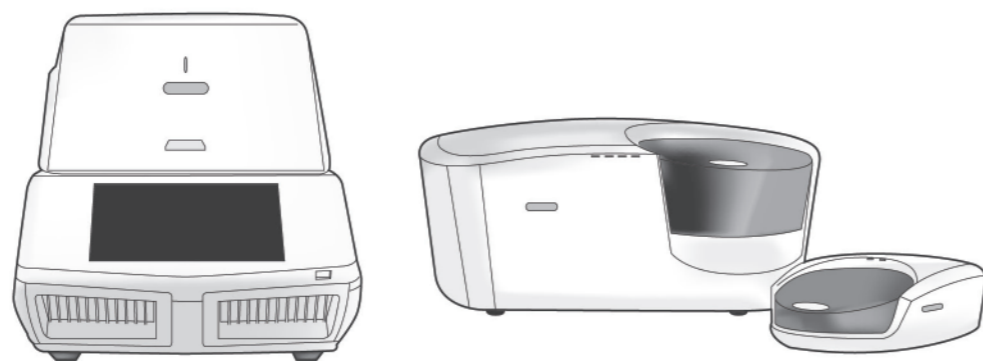
SHIMADZU



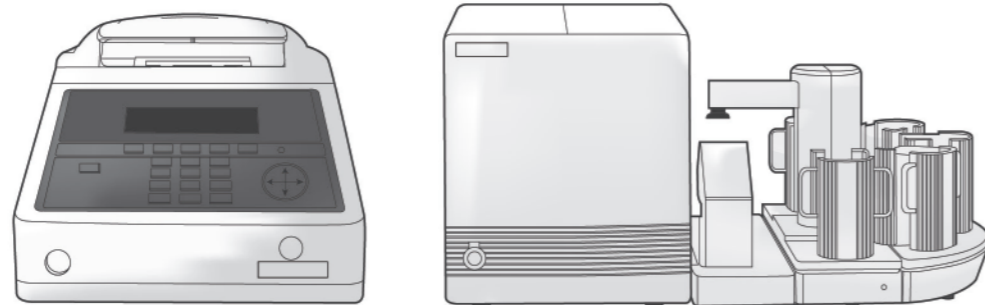
Real-Time PCR

Real time Polymer Chain Reaction

BIO RAD



APPLIED BIOSYSTEMS

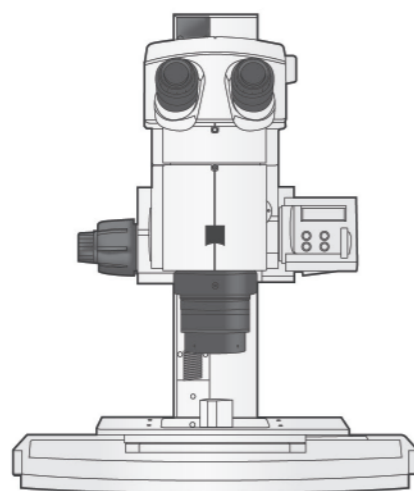


BIO RAD
APPLIED BIOSYSTEMS

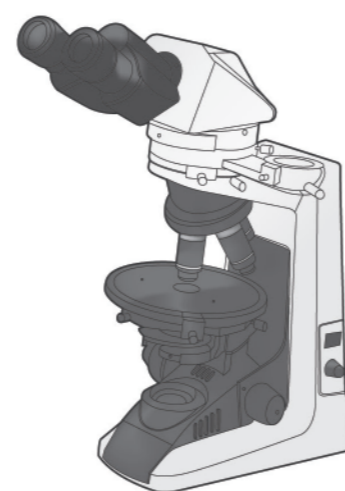
Microscope

ZEISS
NIKON

ZEISS



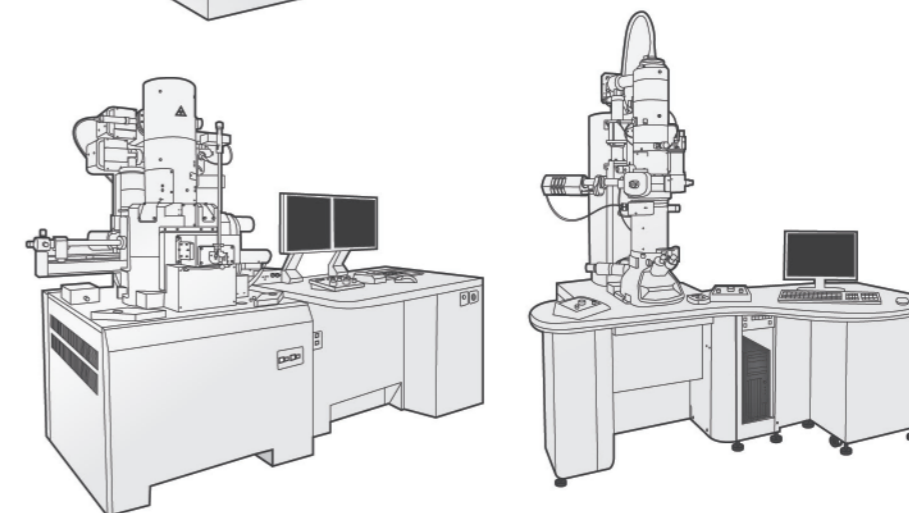
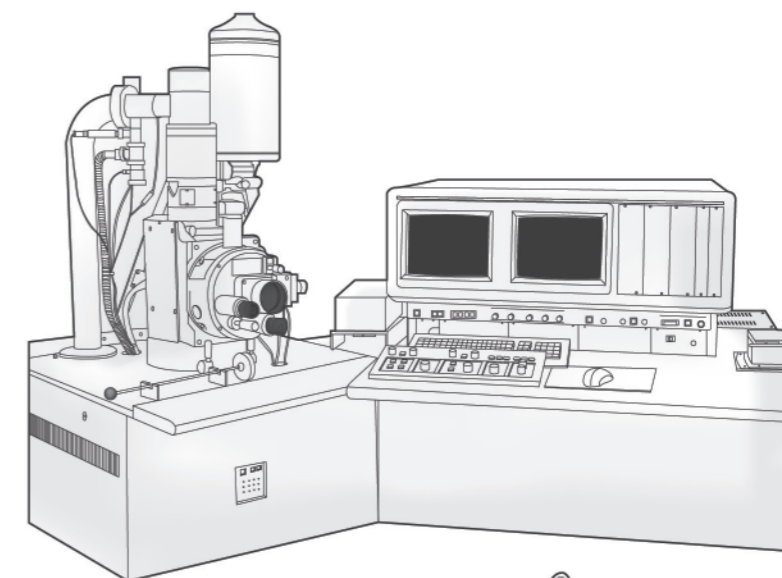
NIKON



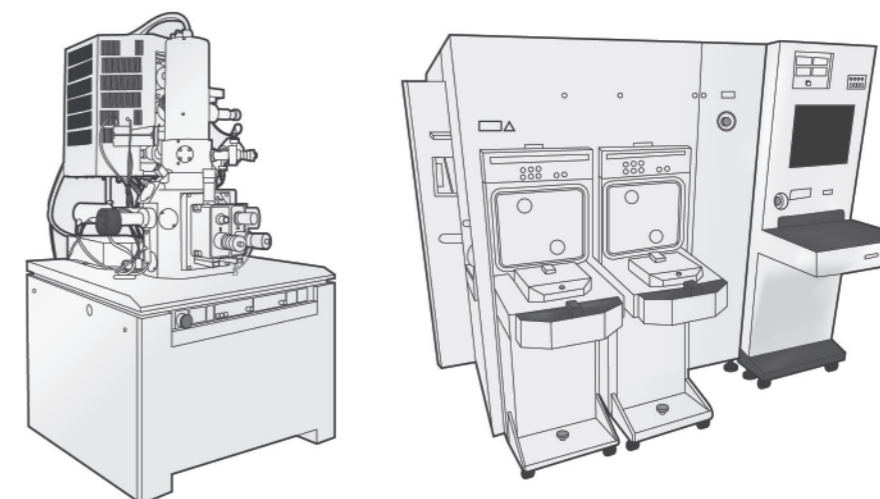
SEM

Scanning Electron Microscope

JEOL



HITACHI

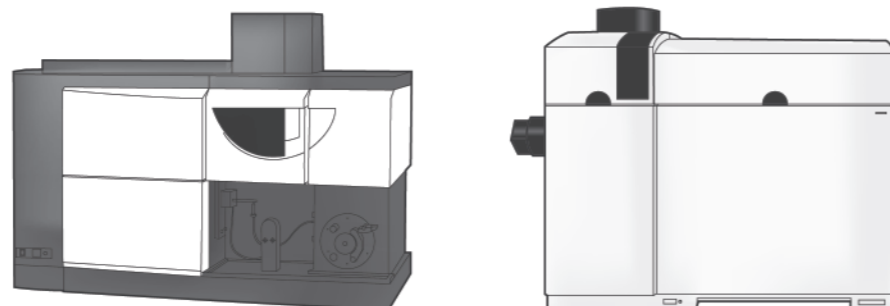


JEOL
HITACHI

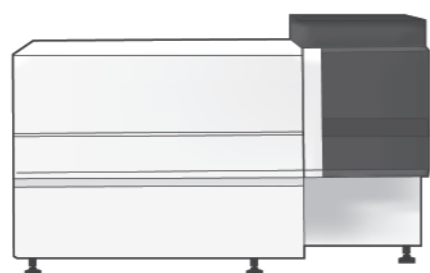
ICP-OES ICP-MS

Inductively
Coupled
Plasma
Spectrometer

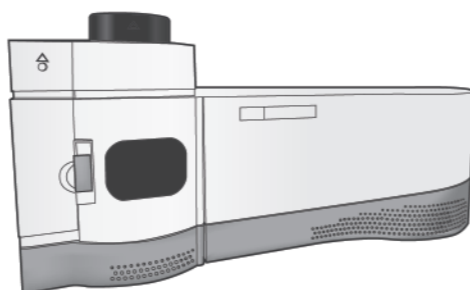
AGILENT



SHIMADZU



PERKIN ELMER

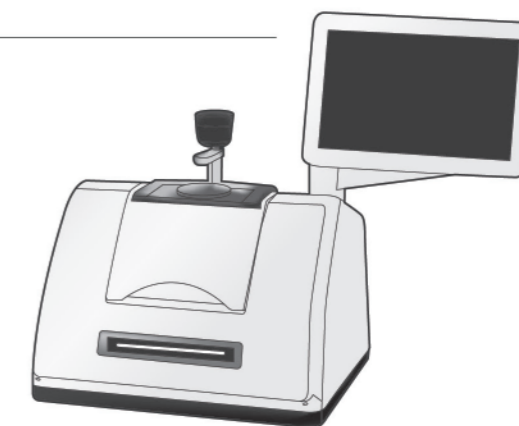
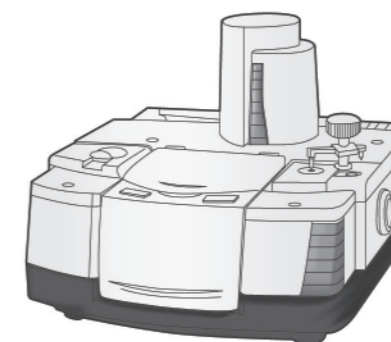


**AGILENT
SHIMADZU
PERKIN ELMER**

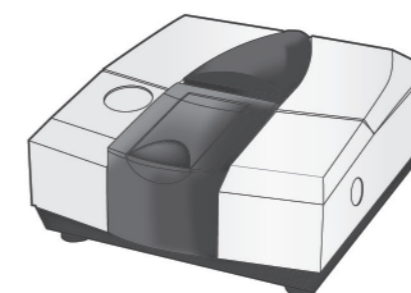
FT-IR

Fourier-transform
Infrared
Spectroscopy

THERMO FISHER



SHIMADZU



JASCO

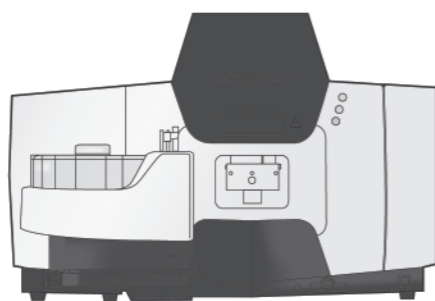


**THERMO FISHER
SHIMADZU
JASCO**

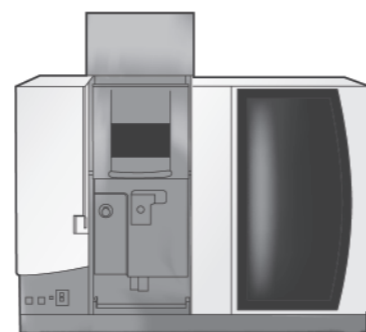
AAS

Atomic
Absorption
Spectroscopy

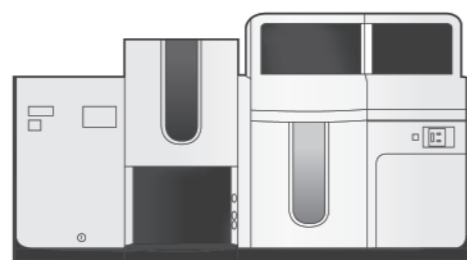
SHIMADZU



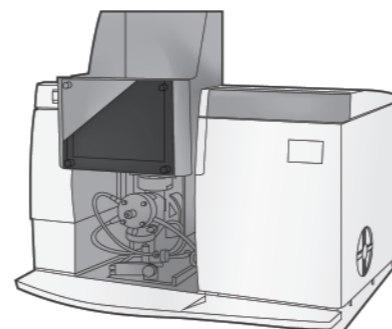
AGILENT



HITACHI



PERKIN

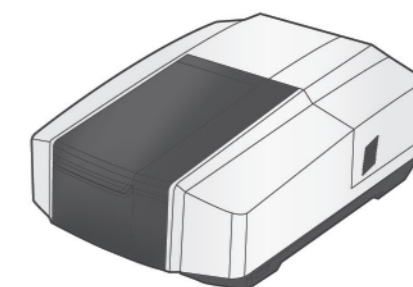
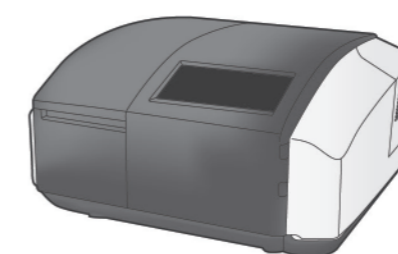


**SHIMADZU
AGILENT
HITACHI
PERKIN**

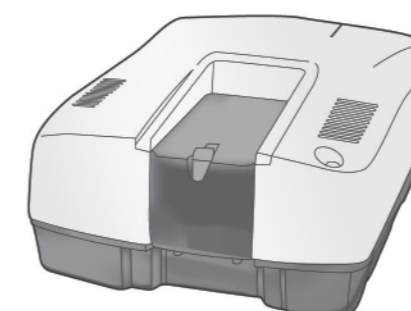
UV-VIS

Ultra Violet
Visible
Spectrometer

SHIMADZU



JASCO



HITACHI



**SHIMADZU
JASCO
HITACHI**